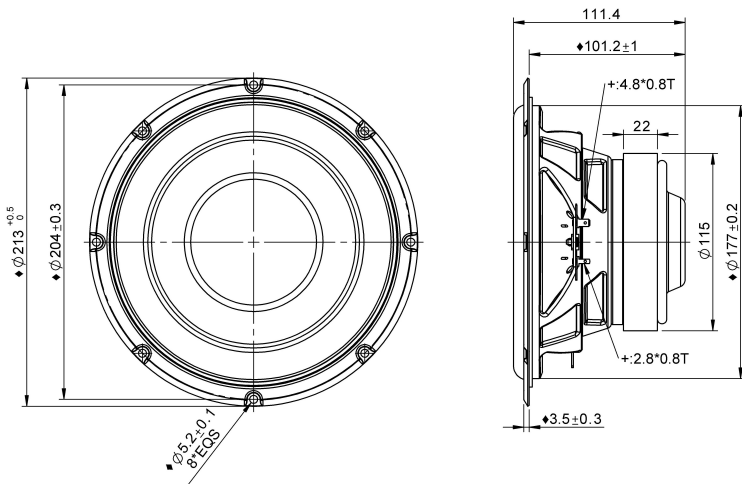


- Aluminum Shorting Ring
- Coated Paper Cone
- Ferrite Magnet
- Pressed Steel Basket
- Rubber Surround

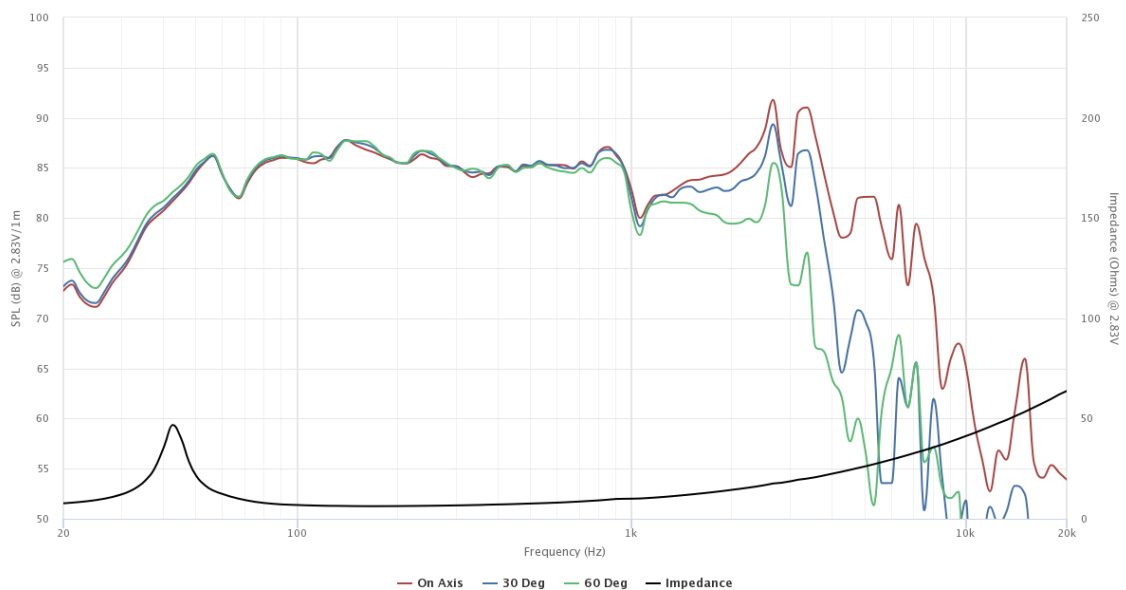


### SPECIFICATIONS

Transducer Size	8	in	
Impedance	6	$\Omega$	
Frequency Range <sup>1</sup>	40 - 800	Hz	
Sensitivity <sup>2</sup> (2.83V   1W @ 1m)	86.5   86.5	dB	
Power Rating (IEC 268-5)	90	W	
Voice Coil Size	38.4	mm	
Air Gap   Winding Height	$H_{ag}   H_{vc}$	8   24.8	mm
Net Weight	2.52	kg	

### PARAMETERS <sup>3</sup>

Eff. Piston Area	$S_d$	201	cm <sup>2</sup>
DC Resistance	$R_e$	5.6	$\Omega$
Minimum Impedance	$Z_{min}$	6.3	$\Omega$
Inductance	$L_e$	0.829	mH
Resonance Frequency <sup>4</sup>	$F_s$	46	Hz
Mechanical Q Factor	$Q_{ms}$	7.21	-
Electrical Q Factor	$Q_{es}$	0.836	-
Total Q Factor	$Q_{ts}$	0.75	-
Moving Mass	$M_{ms}$	36.4	g
Compliance	$C_{ms}$	330	$\mu\text{m}/\text{N}$
Equivalent Volume	$V_{as}$	19	L
Motor Force Factor	$Bl$	8.33	Tm
Motor Efficiency	$\beta$	12.5	$(Bl)^2 / R_e$
Linear Excursion <sup>5</sup>	$X_{max}$	11.1	mm
Max Mechanical Excursion <sup>6</sup>	$X_{mech}$	-	mm



Details on this spec sheet are for reference only and should not be used for setting production limits. Specifications and product cosmetics are subject to change without notice. Peerless is a registered trademark of Tympany Enterprises. All measurements conducted in test lab at 25°C ±10°C, 50%RH ±10%. <sup>1</sup> Specified by Engineering as linear working range of transducer. <sup>2</sup> Measured at 2.83V at 1m and normalized to 1W with respect to nominal impedance. <sup>3</sup> Measured in Free Air without preconditioning, therefore subject to some deviation. <sup>4</sup> Impedance and  $F_s$  value measured under different conditions. <sup>5</sup> Equal/Overhung:  $(H_{vc} - H_{ag})/2 + H_{ag}/3$ . Underhung:  $(H_{ag} - H_{vc})/2 + H_{vc}/3$ . <sup>6</sup> Mechanically limited excursion (e.g. bottoming, spider crash).